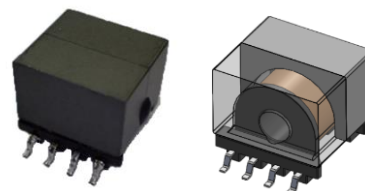


## VEP1012A

New Products

RoHS

AEC-Q200



### ■ Features

- Small, for various power supplies
- Optimal transformer design according to required specifications is possible
- Compatible with multiple outputs
- □□□□A : Heat resistance ~+150°C Withstand voltage ~AC 1500Vrms
- □□□□B : Heat resistance ~+150°C Withstand voltage ~AC 2500Vrms

### ■ Magnetic structure



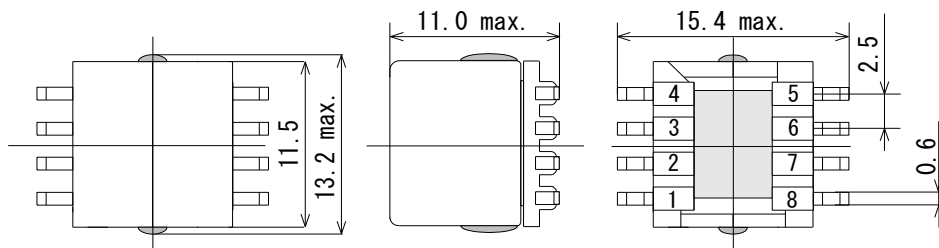
Operating Temperature Range : -40 °C~ +150 °C(include self-heating)

Weight : 5.8 g

### ■ Application

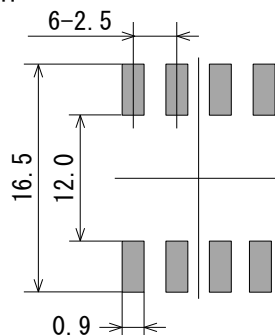
- In-vehicle  
Power supply for Power Control Unit for HEV / EV  
Isolated Power supply for Automotive, etc

### ■ Dimensions



(Unit : mm)

### ■ Recommended Land Pattern



SAGAMI ELEC CO., LTD.  
<https://www.sagami-elec.co.jp>

10-30, Ichibashimo-cho, Tsurumi-ku, Yokohama, Kanagawa 230-0024, Japan  
Over Seas Sales Dept. TEL : +81 45 511 3141, E-mail : ossg@sagami-elec.co.jp  
Engineering Dept. TEL : +81 45 521 4543

⚠ The contents of this catalogue are subject to change without notice.

## ■ Selection Guide

Type	Appearance		Maxim output power(reference) (W)			Withstand voltage (Primary -Secondary) (Vrms/1min)
			Conditions			
			(A)	(B)	(C)	
VEP1012A	EP10	SMD	3.0	1.5	3.4	1500

Type	Input voltage range (V)	Output voltage range (V)	Operating frequency (kHz)	Number of outputs (reference)
VEP1012A	0.7~24	130 max.	1000 max.	2

The above mentioned maximum out

As for the core material, the upper limit is 500kHz for ordinary low loss materials.

Operation at 300kHz or higher is handled by changing the material.

Item	Conditions		
	(A)	(B)	(C)
Core materials	Low loss	Low loss	High-frequency
Circuits	Fly-back	Fly-back	Fly-back
Frequency	100kHz	100kHz	500kHz
Temperature rise	40°C	20°C	20°C



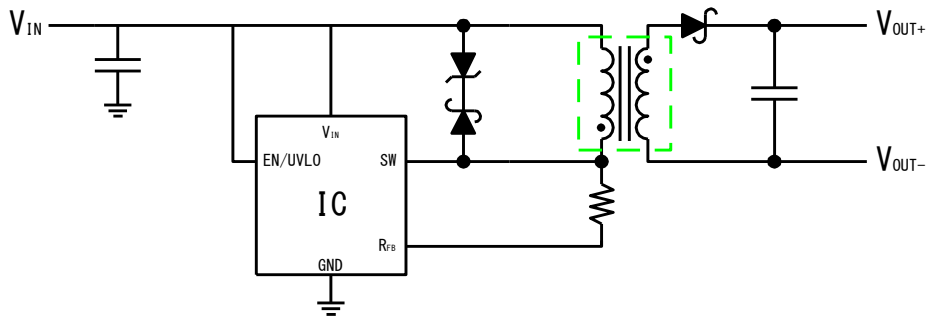
SAGAMI ELEC CO., LTD.  
<https://www.sagami-elec.co.jp>

10-30, Ichibashimo-cho, Tsurumi-ku, Yokohama, Kanagawa 230-0024, Japan  
 Over Seas Sales Dept. TEL : +81 45 511 3141, E-mail : ossg@sagami-elec.co.jp  
 Engineering Dept. TEL : +81 45 521 4543

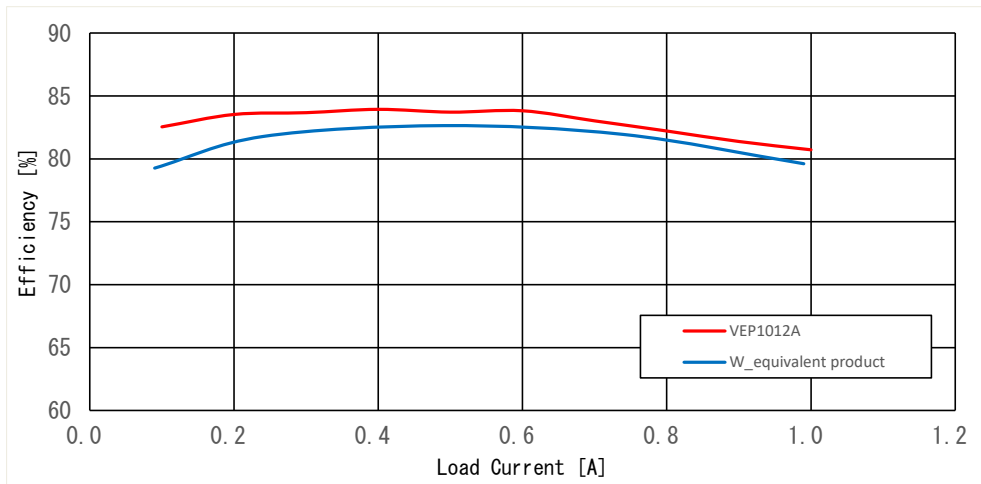
△ The contents of this catalogue are subject to change without notice.

■ Reference circuit

- 2.7V to 36Vin/5Vout Isolated Flyback Converter



- Efficiency comparison (24Vin/5Vout)



SAGAMI ELEC CO., LTD.  
<https://www.sagami-elec.co.jp>

10-30, Ichibashimo-cho, Tsurumi-ku, Yokohama, Kanagawa 230-0024, Japan  
 Over Seas Sales Dept. TEL : +81 45 511 3141, E-mail : ossg@sagami-elec.co.jp  
 Engineering Dept. TEL : +81 45 521 4543

⚠ The contents of this catalogue are subject to change without notice.