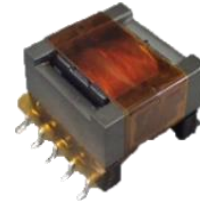


VEC1711B

New Products

RoHS

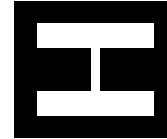
AEC-Q200



■ Features

- For various power supplies
- Optimal transformer design according to required specifications is possible
- Compatible with multiple outputs
- Heat resistance $\sim +150^{\circ}\text{C}$ Withstand voltage $\sim \text{AC } 2500\text{Vrms}$

■ Magnetic structure



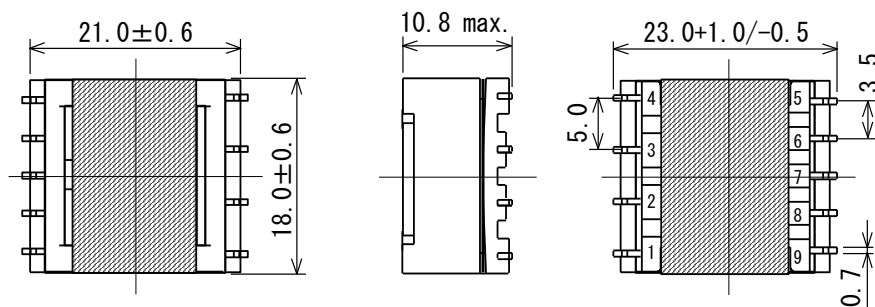
Operating Temperature Range : $-40^{\circ}\text{C} \sim +150^{\circ}\text{C}$ (include self-heating)

Weight : 6.3 g

■ Application

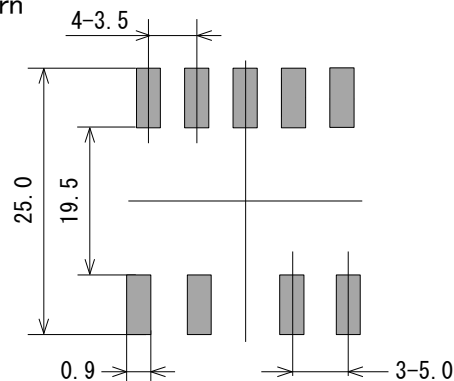
- In-vehicle
Power supply for Power Control Unit for HEV / EV
Isolated Power supply for Automotive, etc

■ Dimensions



(Unit : mm)

■ Recommended Land Pattern



SAGAMI ELEC CO., LTD.
<https://www.sagami-elec.co.jp>

10-30, Ichibashimo-cho, Tsurumi-ku, Yokohama, Kanagawa 230-0024, Japan
 Over Seas Sales Dept. TEL : +81 45 511 3141, E-mail : ossg@sagami-elec.co.jp
 Engineering Dept. TEL : +81 45 521 4543

△ The contents of this catalogue are subject to change without notice.

■ Selection Guide

Type	Appearance	Maxim output power (reference) (W)	Withstand voltage (Primary -Secondary) (Vrms/1min)
VEC1711B	EPC17 SMD	12	2500

Type	Input voltage range (V)	Output voltage range (V)	Operating frequency (kHz)	Number of outputs (reference)
VEC1711B	0.7~50	150 max.	500 max.	2

The above mentioned maximum out



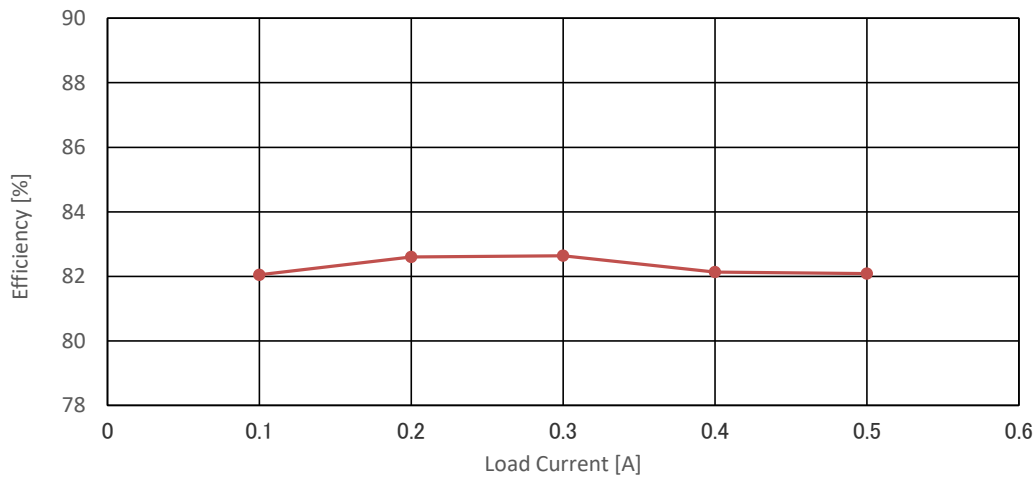
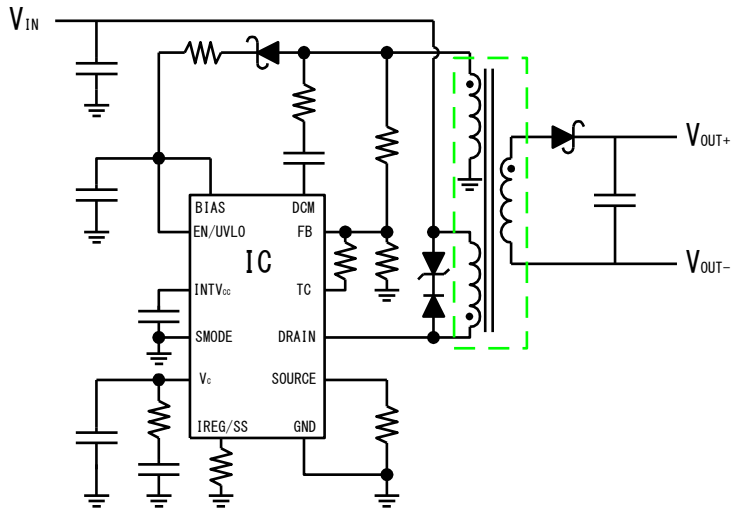
SAGAMI ELEC CO., LTD.
<https://www.sagami-elec.co.jp>

10-30, Ichibashimo-cho, Tsurumi-ku, Yokohama, Kanagawa 230-0024, Japan
 Over Seas Sales Dept. TEL : +81 45 511 3141, E-mail : ossg@sagami-elec.co.jp
 Engineering Dept. TEL : +81 45 521 4543

The contents of this catalogue are subject to change without notice.

■ Reference circuit

20V to 450V_{in}/12V_{out} Isolated Supply



SAGAMI ELEC CO., LTD.
<https://www.sagami-elec.co.jp>

10-30, Ichibashimo-cho, Tsurumi-ku, Yokohama, Kanagawa 230-0024, Japan
 Over Seas Sales Dept. TEL : +81 45 511 3141, E-mail : ossg@sagami-elec.co.jp
 Engineering Dept. TEL : +81 45 521 4543

⚠ The contents of this catalogue are subject to change without notice.