

SGQR8065CA

New Products

RoHS

AEC-Q200



Features

- 2in1 structure reduces installation time and ground area
- Small and high efficiency are realized , developed specifically for the SEPIC/ZETA converter.
- Magnetically shielded structure, high current.
- Four terminals structure for resisting to mechanical shock and vibration.

Magnetic structure



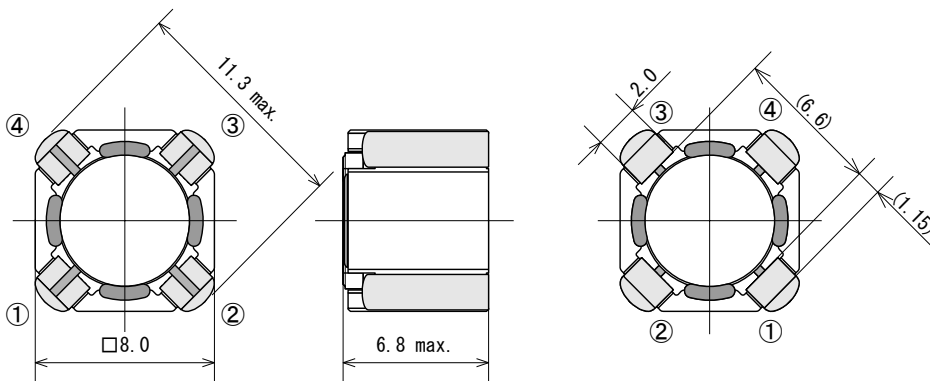
Operating Temperature Range : -40 °C~ +125 °C(include self-heating)

Weight : 1.3 g

Application

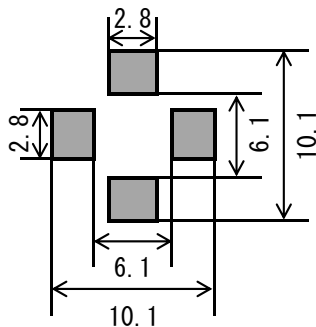
- AudioVisual
- Car Audio
- Car Navigation
- ECU
- LED Headlights
- Power Supply
- FA

Dimensions

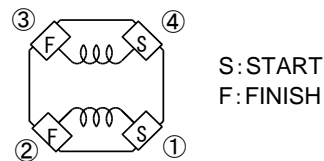


(Unit : mm)

Recommended Land Pattern



CONNECTION(BOTTOM VIEW)



SAGAMI ELEC CO., LTD.
<https://www.sagami-elec.co.jp>

10-30, Ichibashimo-cho, Tsurumi-ku, Yokohama, Kanagawa 230-0024, Japan
Over Seas Sales Dept. TEL : +81 45 511 3141, E-mail : ossg@sagami-elec.co.jp
Engineering Dept. TEL : +81 45 521 4543

⚠ The contents of this catalogue are subject to change without notice.

■ Specifications

SAGAMI Part No.	Inductance (μ H)	DCR Resistance (Ω) max	Rated current			
			DC saturation allowable current (A)		Teperature rise allowable current (A)	
			Spec.	Typical	SERIES WINDING	ONE WINDING
SGQR8065CA-1R3A	1.3 \pm 35%	0.016	7.65	9.90	3.20	4.30
SGQR8065CA-1R8A	1.8 \pm 35%	0.020	6.55	8.65	2.85	3.90
SGQR8065CA-2R4A	2.4 \pm 35%	0.023	5.50	7.35	2.60	3.60
SGQR8065CA-3R3A	3.3 \pm 35%	0.030	4.75	6.55	2.25	3.10
SGQR8065CA-3R9A	3.9 \pm 35%	0.034	4.15	5.95	2.15	2.90
SGQR8065CA-4R7A	4.7 \pm 35%	0.039	3.85	5.25	2.00	2.70
SGQR8065CA-5R6A	5.6 \pm 35%	0.048	3.45	4.80	1.80	2.45
SGQR8065CA-6R8N	6.8 \pm 30%	0.053	3.00	4.40	1.70	2.25
SGQR8065CA-7R5N	7.5 \pm 30%	0.065	2.90	4.20	1.50	2.05
SGQR8065CA-9R1N	9.1 \pm 30%	0.070	2.75	3.90	1.45	1.95
SGQR8065CA-100M	10 \pm 20%	0.077	2.45	3.60	1.40	1.90
SGQR8065CA-120M	12 \pm 20%	0.093	2.40	3.30	1.30	1.70
SGQR8065CA-150M	15 \pm 20%	0.11	2.05	3.00	1.20	1.60
SGQR8065CA-180M	18 \pm 20%	0.13	1.85	2.70	1.10	1.50
SGQR8065CA-220M	22 \pm 20%	0.15	1.70	2.45	1.00	1.35
SGQR8065CA-270M	27 \pm 20%	0.18	1.60	2.25	0.92	1.25
SGQR8065CA-330M	33 \pm 20%	0.23	1.40	1.95	0.82	1.10
SGQR8065CA-390M	39 \pm 20%	0.26	1.30	1.85	0.77	1.05
SGQR8065CA-470M	47 \pm 20%	0.32	1.15	1.65	0.71	0.950
SGQR8065CA-560M	56 \pm 20%	0.39	1.05	1.50	0.64	0.850
SGQR8065CA-680M	68 \pm 20%	0.48	1.00	1.35	0.58	0.750
SGQR8065CA-820M	82 \pm 20%	0.58	0.90	1.25	0.53	0.680
SGQR8065CA-101M	100 \pm 20%	0.71	0.80	1.10	0.48	0.620
SGQR8065CA-121M	120 \pm 20%	0.77	0.75	1.05	0.46	0.590
SGQR8065CA-151M	150 \pm 20%	1.00	0.65	0.97	0.40	0.520
-	-	-	-	-	-	-
-	-	-	-	-	-	-
-	-	-	-	-	-	-
-	-	-	-	-	-	-

- Inductance Measuring Condition : 100kHz,1V
- Rated current : DC saturation allowable current or Temperature rise allowable current, whichever is smaller.
 1. DC saturation allowable current (Spec.) : value of inductance decrease within 30%.
DC saturation allowable current (Typical) : value of inductance decrease 30%.
 2. Temperature rise allowable current : A rise in temperature of core surface is within 40°C.
 - ※1: ④-① (③-② short)
 - ※2: ④-③ or ①-②



SAGAMI ELEC CO., LTD.
<https://www.sagami-elec.co.jp>

10-30, Ichibashimo-cho, Tsurumi-ku, Yokohama, Kanagawa 230-0024, Japan
 Over Seas Sales Dept. TEL : +81 45 511 3141, E-mail : ossg@sagami-elec.co.jp
 Engineering Dept. TEL : +81 45 521 4543

⚠ The contents of this catalogue are subject to change without notice.