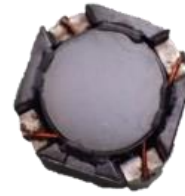


SGQR1277CA

New Products

RoHS

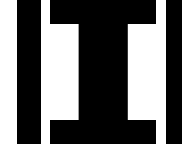
AEC-Q200



■ Features

- 2in1 structure reduces installation time and ground area
- Small and high efficiency are realized , developed specifically for the SEPIC/ZETA converter.
- Magnetically shielded structure, high current.
- Four terminals structure for resisting to mechanical shock and vibration.

■ Magnetic structure



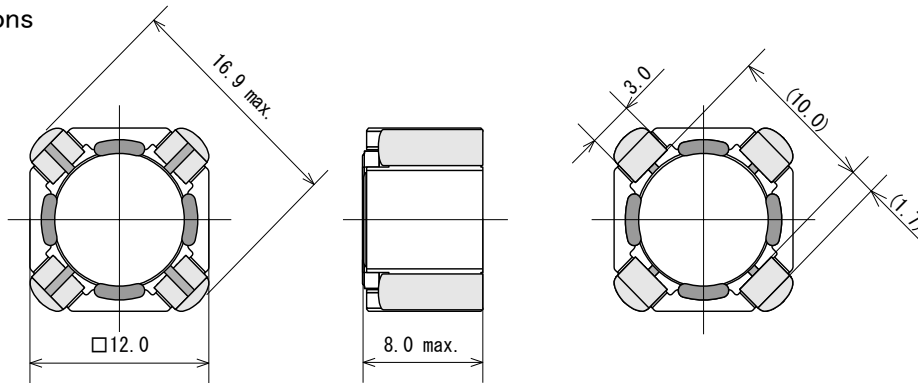
Operating Temperature Range : -40 °C~ +125 °C(include self-heating)

Weight : 4.0 g

■ Application

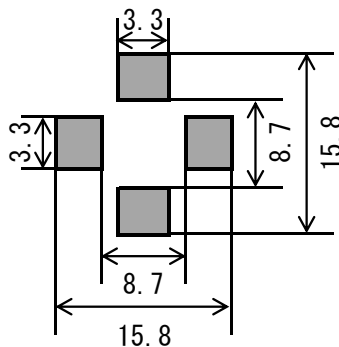
- AudioVisual
- Car Audio
- Car Navigation
- ECU
- LED Headlights
- Power Supply
- FA

■ Dimensions

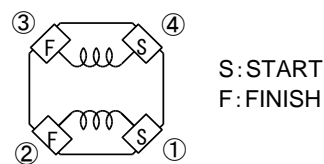


(Unit : mm)

■ Recommended Land Pattern



■ CONNECTION(BOTTOM VIEW)



SAGAMI ELEC CO., LTD.
<https://www.sagami-elec.co.jp>

10-30, Ichibashimo-cho, Tsurumi-ku, Yokohama, Kanagawa 230-0024, Japan
Over Seas Sales Dept. TEL : +81 45 511 3141, E-mail : ossg@sagami-elec.co.jp
Engineering Dept. TEL : +81 45 521 4543

⚠ The contents of this catalogue are subject to change without notice.

■ Specifications

SAGAMI Part No.	Inductance (μ H)	DCR Resistance (Ω) max	Rated current			
			DC saturation allowable current (A)		Temperature rise allowable current (A)	
			Spec.	Typical	SERIES WINDING※1	ONE WINDING※2
SGQR1277CA-2R2A	2.2 \pm 35%	0.017	13.6	18.6	3.35	4.20
SGQR1277CA-3R0A	3.0 \pm 35%	0.021	11.2	16.1	3.10	3.85
SGQR1277CA-3R9A	3.9 \pm 35%	0.023	9.15	13.5	2.95	3.75
SGQR1277CA-5R1A	5.1 \pm 35%	0.027	8.35	12.2	2.75	3.40
SGQR1277CA-6R8A	6.8 \pm 35%	0.035	7.45	10.9	2.40	3.05
SGQR1277CA-8R2N	8.2 \pm 30%	0.039	7.00	10.1	2.25	2.90
SGQR1277CA-100M	10 \pm 20%	0.044	6.35	9.25	2.20	2.75
SGQR1277CA-120M	12 \pm 20%	0.052	5.85	8.35	1.95	2.45
SGQR1277CA-150M	15 \pm 20%	0.071	5.15	7.20	1.70	2.15
SGQR1277CA-180M	18 \pm 20%	0.083	4.80	6.75	1.55	2.00
SGQR1277CA-220M	22 \pm 20%	0.11	4.35	6.35	1.35	1.75
SGQR1277CA-270M	27 \pm 20%	0.12	3.85	5.65	1.25	1.60
SGQR1277CA-330M	33 \pm 20%	0.14	3.35	4.95	1.15	1.55
SGQR1277CA-390M	39 \pm 20%	0.18	3.05	4.50	1.03	1.35
SGQR1277CA-470M	47 \pm 20%	0.20	2.90	4.20	0.980	1.30
SGQR1277CA-560M	56 \pm 20%	0.25	2.70	3.80	0.870	1.15
SGQR1277CA-680M	68 \pm 20%	0.30	2.35	3.45	0.790	1.05
SGQR1277CA-820M	82 \pm 20%	0.35	2.10	3.10	0.720	0.96
SGQR1277CA-101M	100 \pm 20%	0.42	1.95	2.85	0.660	0.88
SGQR1277CA-121M	120 \pm 20%	0.51	1.80	2.65	0.600	0.80
SGQR1277CA-151M	150 \pm 20%	0.63	1.55	2.30	0.530	0.72
SGQR1277CA-181M	180 \pm 20%	0.75	1.45	2.10	0.490	0.68
-	-	-	-	-	-	-
-	-	-	-	-	-	-
-	-	-	-	-	-	-
-	-	-	-	-	-	-
-	-	-	-	-	-	-
-	-	-	-	-	-	-
-	-	-	-	-	-	-

- Inductance Measuring Condition : 100kHz,1V
- Rated current : DC saturation allowable current or Temperature rise allowable current, whichever is smaller.
 1. DC saturation allowable current (Spec.) : value of inductance decrease within 30%.
DC saturation allowable current (Typical) : value of inductance decrease 30%.
 2. Temperature rise allowable current: The rise in Temperature of core surface is within 40°C.
 - ※1: ④-① (③-② short)
 - ※2: ④-③ or ①-②



SAGAMI ELEC CO., LTD.
<https://www.sagami-elec.co.jp>

10-30, Ichibashimo-cho, Tsurumi-ku, Yokohama, Kanagawa 230-0024, Japan
 Over Seas Sales Dept. TEL : +81 45 511 3141, E-mail : ossg@sagami-elec.co.jp
 Engineering Dept. TEL : +81 45 521 4543

⚠ The contents of this catalogue are subject to change without notice.