

CVE3527H

New Products

RoHS

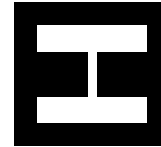
AEC-Q200



■ Features

- Power inductor with greatly improved current characteristics
- Closed magnetic circuit structure with low leakage flux
- Uses flat wire, low resistance and high current specifications

■ Magnetic structure



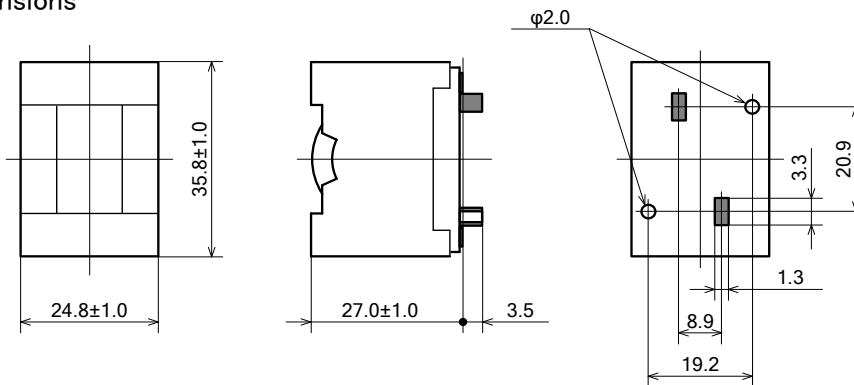
Operating Temperature Range : -40 °C ~ +150 °C (include self-heating)

Weight : 95 g

■ Application

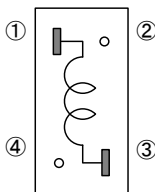
- AudioVisual
Mini component, AV amplifier, Amplifier for profes
- Automotive
Car Audio, ECU
- Home Electronics
White goods
- Others
Power Supply, FA, Medical, Energy

■ Dimensions



(Unit : mm)

■ Connection (Bottom view)



SAGAMI ELEC CO., LTD.
<https://www.sagami-elec.co.jp>

10-30, Ichibashimo-cho, Tsurumi-ku, Yokohama, Kanagawa 230-0024, Japan
 Over Seas Sales Dept. TEL : +81 45 511 3141, E-mail : ossg@sagami-elec.co.jp
 Engineering Dept. TEL : +81 45 521 4543

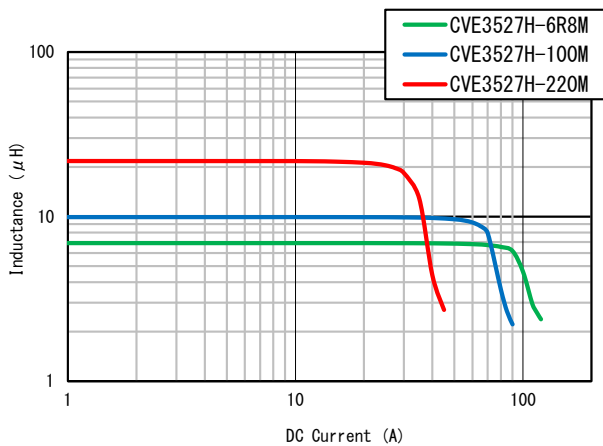
⚠ The contents of this catalogue are subject to change without notice.

■ Specifications

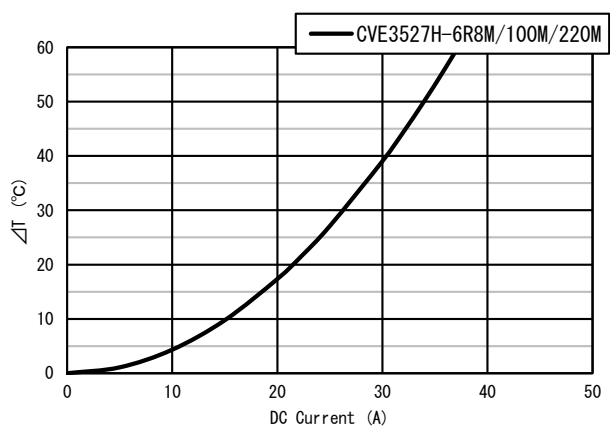
SAGAMI Part No.	Inductance (μH)	DCR Resistance ($\text{m}\Omega$)		DC saturation allowable current (A)	Teperature rise allowable current (A)
		Typical	max.		
CVE3527H-6R8M	6.8 $\pm 20\%$	2.00	2.60	90.0	32.0
CVE3527H-100M	10 $\pm 20\%$	2.00	2.60	62.0	32.0
CVE3527H-220M	22 $\pm 20\%$	2.00	2.60	28.0	32.0
-	-	-	-	-	-
-	-	-	-	-	-
-	-	-	-	-	-
-	-	-	-	-	-
-	-	-	-	-	-
-	-	-	-	-	-
-	-	-	-	-	-

- Inductance Measuring Condition : 100kHz, 1V
- Rated current : DC saturation allowable current or Temperature rise allowable current, whichever is smaller.
 - DC saturation allowable current : value of inductance decrease 10%.
 - Temperature rise allowable current : A rise in temperature of core surface is 40°C.

■ Characteristics of DC Saturation Current



■ Characteristics of Temperature rise



SAGAMI ELEC CO., LTD.
<https://www.sagami-elec.co.jp>

10-30, Ichibashimo-cho, Tsurumi-ku, Yokohama, Kanagawa 230-0024, Japan
 Over Seas Sales Dept. TEL : +81 45 511 3141, E-mail : ossg@sagami-elec.co.jp
 Engineering Dept. TEL : +81 45 521 4543

⚠ The contents of this catalogue are subject to change without notice.