

New Products

## Fixed Inductor for Digital Amp. (Class-D)

# HER7052

### ■ Features

- Small size Inductor For LPF of Digital Amplifier (Class-D)
- Improved the current characteristic by changing the material of core.
- Operating Temperature Range:  $-40\sim+125^{\circ}\text{C}$  (include self-heating)
- RoHS compliance

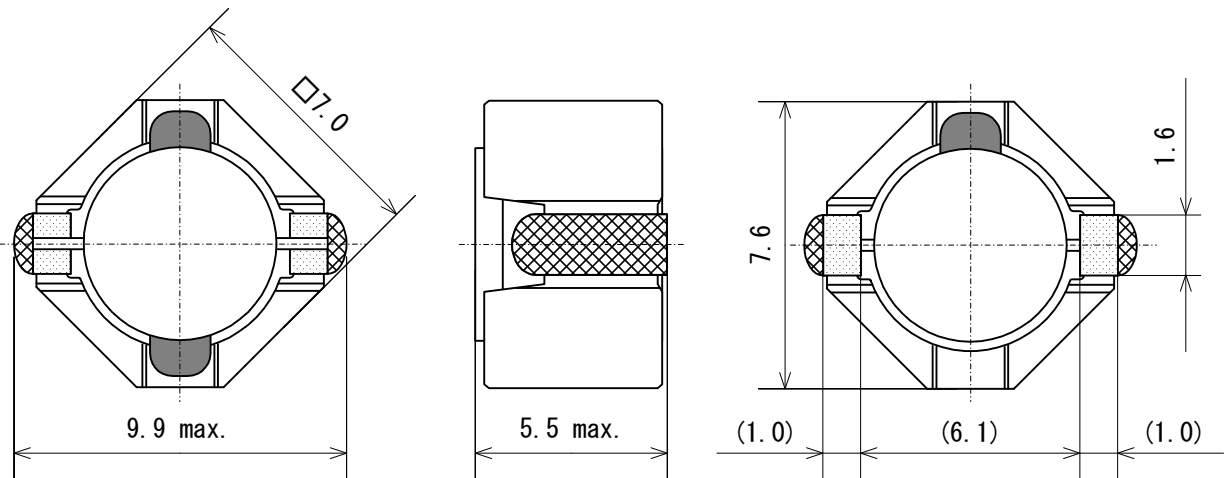


Weight: 0.82g

### ■ Application

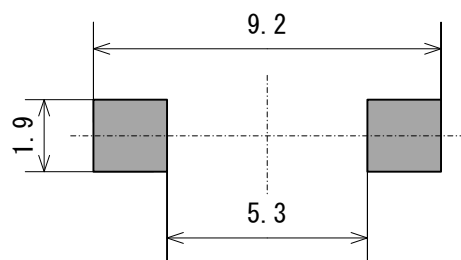
- For LCD TV, desk top audio, amusement, and so on

### ■ Dimensions



(Unit : mm)

### ■ Recommended Land Pattern



(Unit : mm)



SAGAMI ELEC CO., LTD.  
<http://www.sagami-elec.co.jp>

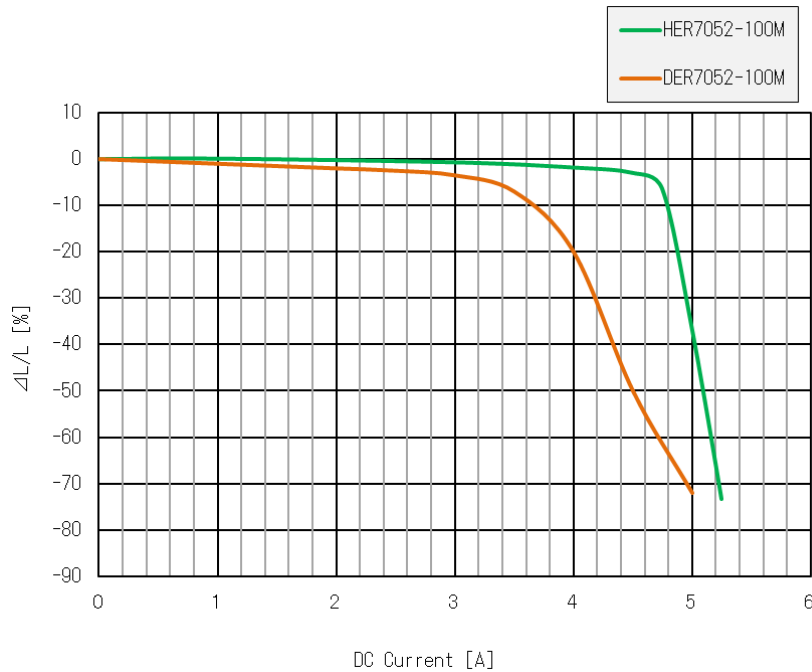
10-30, Ichibashimo-cho, Tsurumi-ku, Yokohama, Kanagawa 230-0024, Japan  
Over Seas Sales Dept. TEL : +81 45 511 3141, E-mail : ossg@sagami-elec.co.jp  
Engineering Dept. TEL : +81 45 521 4543, E-mail : tech@sagami-elec.co.jp

New Products

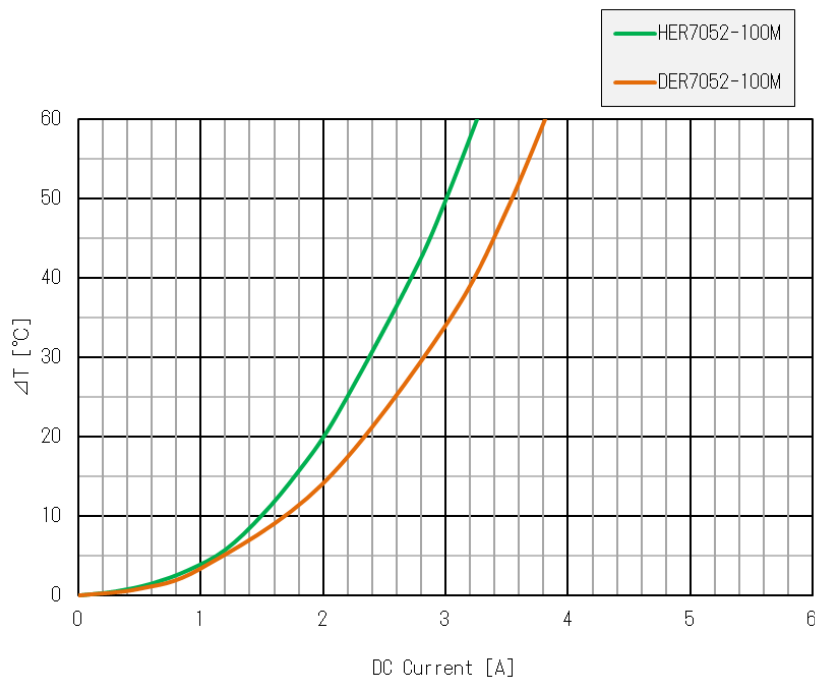
## Fixed Inductor for Digital Amp. (Class-D)

# HER7052 vs DER7052

### ■ Characteristics of DC Saturation Current



### ■ Characteristics of Temperature rise



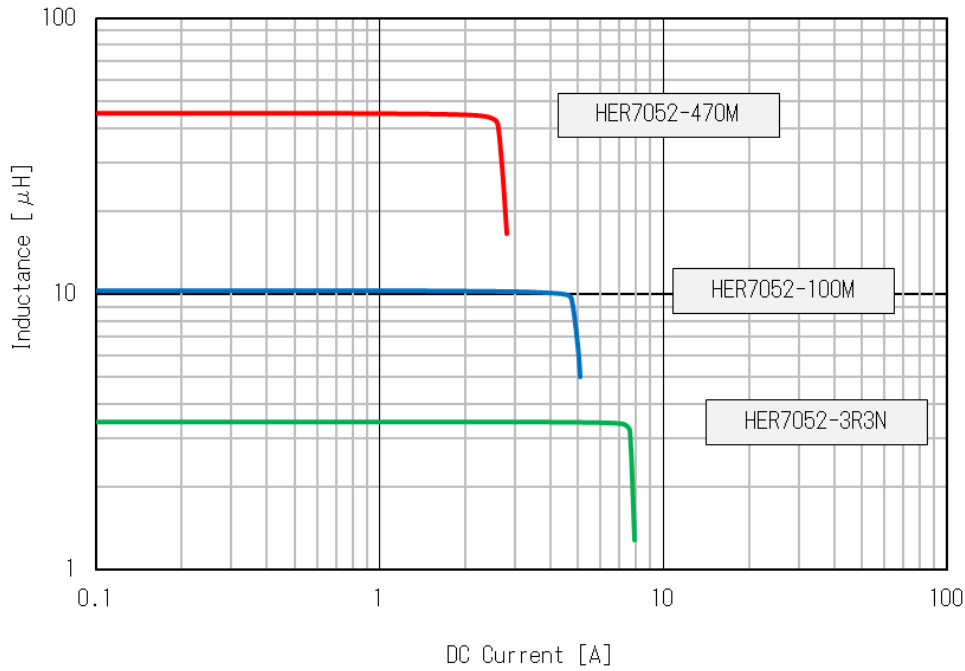
SAGAMI ELEC CO., LTD.  
<http://www.sagami-elec.co.jp>

10-30, Ichibashimo-cho, Tsurumi-ku, Yokohama, Kanagawa 230-0024, Japan  
Over Seas Sales Dept. TEL : +81 45 511 3141, E-mail : ossg@sagami-elec.co.jp  
Engineering Dept. TEL : +81 45 521 4543, E-mail : tech@sagami-elec.co.jp

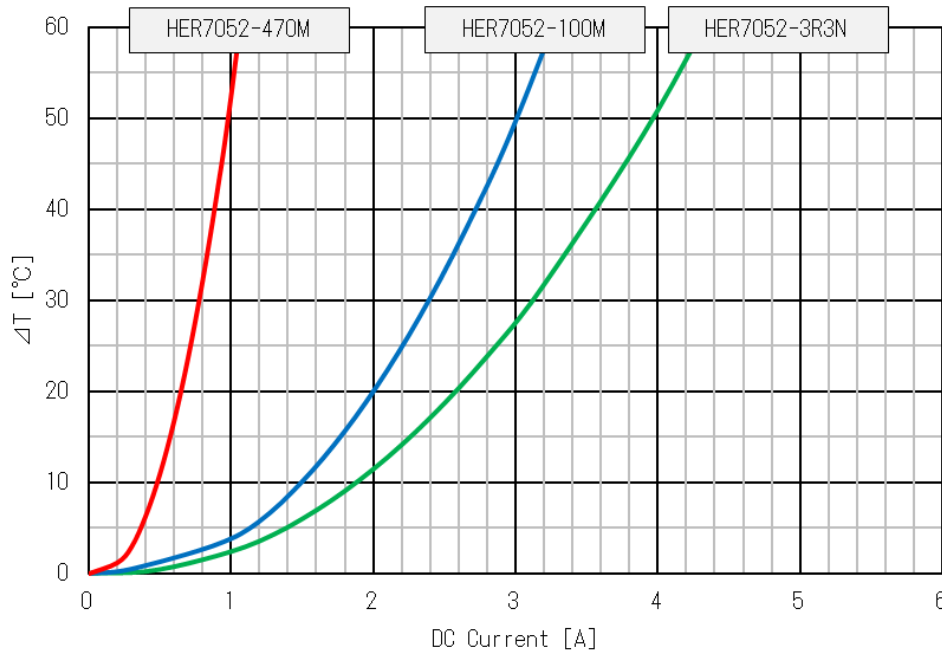
# Fixed Inductor for Digital Amp. (Class-D)

## HER7052 Current Characteristic

### ■ Characteristics of DC Saturation Current



### ■ Characteristics of Temperature rise



SAGAMI ELEC CO., LTD.  
<http://www.sagami-elec.co.jp>

10-30, Ichibashimo-cho, Tsurumi-ku, Yokohama, Kanagawa 230-0024, Japan  
 Over Seas Sales Dept. TEL : +81 45 511 3141, E-mail : ossg@sagami-elec.co.jp  
 Engineering Dept. TEL : +81 45 521 4543, E-mail : tech@sagami-elec.co.jp

## Fixed Inductor for Digital Amp. (Class-D)

### ■ Electrical Specification

P/N	Inductance ( $\mu$ H)	DC Resistance ( $\Omega$ )	DC Superposition Allowable Current (A)	Temperature Rise Allowable Current (A)
HER7052-3R3N	3.3 $\pm$ 30%	0.031 $\pm$ 30%	6.7	2.6
HER7052-4R7N	4.7 $\pm$ 30%	0.037 $\pm$ 30%	6.2	2.4
HER7052-8R2N	8.2 $\pm$ 30%	0.049 $\pm$ 30%	4.2	2.1
HER7052-100M	10 $\pm$ 20%	0.056 $\pm$ 30%	3.8	2.0
HER7052-150M	15 $\pm$ 20%	0.085 $\pm$ 30%	3.3	1.5
HER7052-220M	22 $\pm$ 20%	0.14 $\pm$ 30%	2.8	1.2
HER7052-330M	33 $\pm$ 20%	0.26 $\pm$ 30%	2.3	0.84
HER7052-470M	47 $\pm$ 20%	0.38 $\pm$ 30%	1.9	0.65

\* Inductance Measuring Condition : 100kHz, 1V

\* Rated current : DC saturation allowable current or Temperature rise allowable current, whichever is smaller.

1. DC Saturation Allowable Current : value of inductance decrease within 30%.

2. Temperature Rise Allowable Current : A rise in temperature of core surface is within 40°C.



SAGAMI ELEC CO., LTD.  
<http://www.sagami-elec.co.jp>

10-30, Ichibashimo-cho, Tsurumi-ku, Yokohama, Kanagawa 230-0024, Japan  
 Over Seas Sales Dept. TEL : +81 45 511 3141, E-mail : ossg@sagami-elec.co.jp  
 Engineering Dept. TEL : +81 45 521 4543, E-mail : tech@sagami-elec.co.jp