

Taping for Automatic Insertion of SMD Coils and Filters

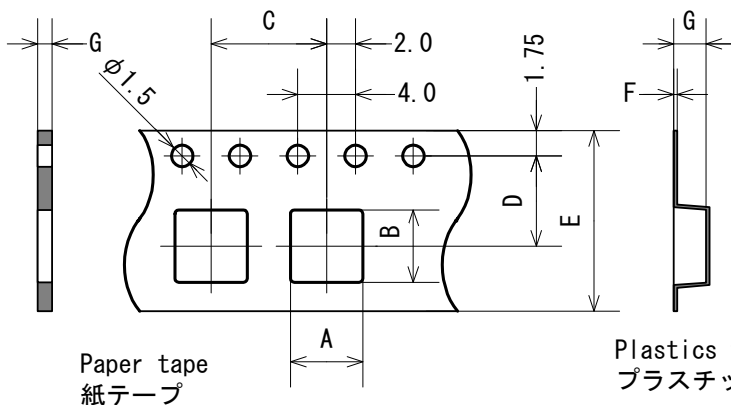
自動装着用コイル・フィルタ テーピング梱包

- For SMD use we have tape packaging matching each SMD type.
- Refer to the specifications below.
- SMDの自動装着用として、各種形状に合わせたテーピング梱包を取り揃えて居ります。
- 尚、仕様は下記の様になっておりますので参照して下さい。

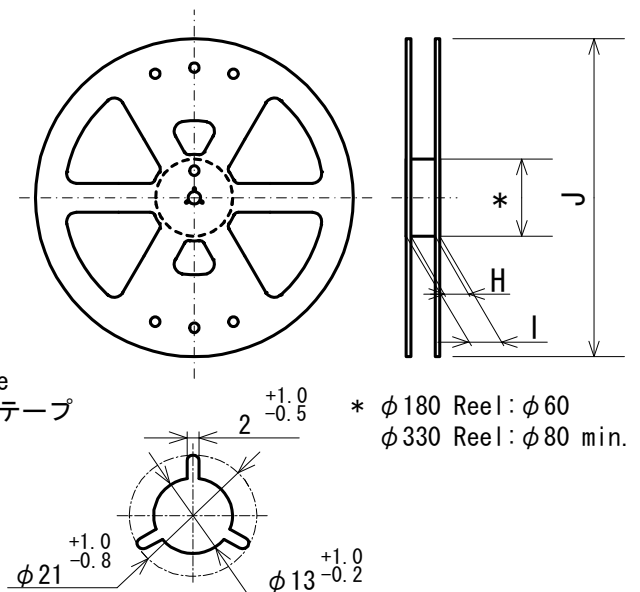
1. The protective tape should not cover the lead holes, and has to be set within the width of the tape.
2. The adhesive strength of the protective tape must be within 0.2 ~ 0.7N (20.4 ~ 71.4gf).
3. The tolerance for accumulated of 10 holes must be within 40 ± 0.2 mm.
4. The electrode side must be positioned on the bottom as shown the drawing "2. Coil Positioning" on the previous page.
5. The deficiency per reel is within 1 piece.
6. The reel shows part number, quantity and the lot number.
7. For others not specified here will follow IEC 60286 Packaging of Electronic Components on Continuous Tapes (Surface Mounting Devices).

1. シールテープはエンボステープの送り穴を塞いだり、エンボステープからはみ出していない事。
2. シールテープの剥離強度は、0.2~0.7N (20.4~71.4gf) 以内とする。
3. 送り穴の誤差は、累積 10 ピッチで 40 ± 0.2 mm とする。
4. 部品の挿入方向は一定（部品装着図参照）とし、取付電極面を下面とする。
5. 部品の歯抜けは、1 リール中に 1 個以下とする。
6. リール側面には、貴社部品番号、数量、ロット番号を表示する。
7. この図面に記載無き内容に就いては、IEC 60286 電子部品のテーピング（表面実装部品）による。

Tape Dimensions (mm)



Reel Dimensions (mm)



An example of reel design and shape.
 リール形状・デザインは一例です。

Taping for Automatic Insertion of SMD Coils and Filters

自動装着用コイル・フィルタ テーピング梱包

Applications	Q'ty pcs.	Tape Number	Dimensions (mm)									
			A	B	C	D	E	F	G	H	I	J
11EHH	600	CT-51	11.6	13.0	16.0	11.5	24.0	0.4	6.3	25.4	29.4	330
4BLH	2000	CT-167	5.4	4.4	8.0	5.5	12.0	0.4	3.3	13.4	17.4	330
(旧仕様：移行中)	2000	CT-27	5.4	4.4	8.0	5.5	12.0	0.4	3.5	13.5	17.5	300
4BMH	3000	CT-123	4.9	5.2	8.0	5.5	12.0	0.4	2.1	13.4	17.4	330
5RLH	2500	CT-125	4.9	5.2	8.0	5.5	12.0	0.4	3.1	13.4	17.4	330
5RLHA	3000	CT-124	4.9	5.2	8.0	5.5	12.0	0.4	2.6	13.4	17.4	330
5RMH	3000	CT-123	4.9	5.2	8.0	5.5	12.0	0.4	2.1	13.4	17.4	330
6BLH	1500	CT-64A	6.6	6.9	12.0	7.5	16.0	0.4	3.3	17.4	21.4	330
6LGHA	700	CT-223	6.8	10.5	12.0	11.5	24.0	0.5	7.5	17.4	21.4	330
6RKH	1200	CT-67	6.6	6.9	12.0	7.5	16.0	0.4	4.3	17.4	21.4	330
6RLH	1500	CT-64A	6.6	6.9	12.0	7.5	16.0	0.4	3.3	17.4	21.4	330
6RLHA	1500	CT-66A	6.6	6.9	12.0	7.5	16.0	0.4	2.8	17.4	21.4	330
7004-2	2800	CT-196	5.3	6.5	8.0	5.5	12.0	0.3	2.7	13.4	17.4	330
7004D-1H	1000	CT-92	5.7	6.4	8.0	5.5	12.0	0.4	1.9	13.0	15.4	180
7004D-1L /1N	1000	CT-91	5.7	6.4	8.0	5.5	12.0	0.4	1.5	13.0	15.4	180
7004D-1S /1M	1000	CT-90	5.7	6.4	8.0	5.5	12.0	0.4	1.3	13.0	15.4	180
7006-2L	1000	CT-113	6.4	6.7	8.0	7.5	16.0	0.4	4.1	17.4	21.4	330
7006-2M	1500	CT-207	6.4	6.7	8.0	7.5	16.0	0.4	4.8	17.5	21.5	330
(旧仕様：移行中)	1000	CT-14A	6.4	6.7	8.0	7.5	16.0	0.4	4.6	17.5	21.5	300
7006-2N /3N	1200	CT-206	6.4	6.7	8.0	7.5	16.0	0.4	5.8	17.5	21.5	330
(旧仕様：移行中)	1000	CT-13A	6.4	6.7	8.0	7.5	16.0	0.4	5.6	17.5	21.5	300
7006-2S	2200	CT-217	6.4	6.7	8.0	7.5	16.0	0.4	3.6	17.4	21.4	330
(旧仕様：移行中)	1000	CT-40	6.4	6.7	8.0	7.5	16.0	0.4	3.5	17.5	21.5	300
7006D-1M	1000	CT-93	7.7	8.4	12.0	7.5	16.0	0.4	1.3	17.0	19.4	180
7008-1M /2M	1000	CT-61	8.5	11.3	12.0	11.5	24.0	0.4	4.4	25.4	29.4	330
7008-1N	700	CT-211	8.5	11.4	12.0	11.5	24.0	0.4	6.6	25.5	29.5	330
(旧仕様：移行中)	500	CT-23	8.5	11.4	12.0	11.5	24.0	0.4	6.7	25.5	29.5	300
7008-2N	500	CT-168	8.5	11.3	12.0	11.5	24.0	0.4	5.4	25.4	29.4	330
(旧仕様：移行中)	500	CT-31	8.5	11.3	12.0	11.5	24.0	0.4	5.3	25.5	29.5	300
7010-2M	500	CT-166	12.1	12.1	16.0	11.5	24.0	0.4	5.3	25.4	29.4	330
(旧仕様：移行中)	500	CT-22	12.1	12.1	16.0	11.5	24.0	0.4	5.4	25.5	29.5	300
7010-2N	500	CT-106	12.1	12.1	16.0	11.5	24.0	0.4	6.8	25.4	29.4	330
7012-2N	500	CT-106	12.1	12.1	16.0	11.5	24.0	0.4	6.8	25.4	29.4	330
7012-2H	300	CT-147	12.0	12.0	16.0	11.5	24.0	0.4	10.6	25.4	29.4	330
(旧仕様：移行中)	300	CT-41	12.0	12.0	16.0	11.5	24.0	0.4	10.7	25.5	29.5	330
7A04H	2000	CT-88	4.4	5.2	8.0	5.5	12.0	0.4	3.6	13.4	17.4	330
7A04N	2500	CT-87	4.4	5.2	8.0	5.5	12.0	0.4	3.1	13.4	17.4	330
7A06L	2500	CT-194	6.5	6.4	8.0	7.5	16.0	0.4	3.1	17.4	21.4	330
(旧仕様：移行中)	1000	CT-24	6.5	6.4	8.0	7.5	16.0	0.4	3.3	17.5	21.5	300
7A06N	1500	CT-195	6.5	6.4	8.0	7.5	16.0	0.4	5.1	17.4	21.4	330
(旧仕様：移行中)	1000	CT-25	6.5	6.4	8.0	7.5	16.0	0.4	5.3	17.5	21.5	300
7A07N	1500	CT-63	7.6	8.0	12.0	7.5	16.0	0.4	3.1	17.4	21.4	330
7A08L	1000	CT-213	9.2	10.4	12.0	7.5	16.0	0.4	3.8	17.4	21.4	330
(旧仕様：移行中)	1000	CT-35	9.2	10.4	12.0	7.5	16.0	0.4	3.8	17.5	21.5	300
7A08N	1000	CT-220	9.2	10.4	12.0	7.5	16.0	0.4	5.0	17.4	21.4	330
(旧仕様：移行中)	500	CT-34	9.2	10.4	12.0	7.5	16.0	0.4	5.0	17.5	21.5	300
7A10L	1000	CT-49	10.6	10.6	16.0	11.5	24.0	0.4	3.8	25.4	29.4	330
7A10N	800	CT-47	10.6	10.6	16.0	11.5	24.0	0.4	5.0	25.4	29.4	330
7B05S	3000	CT-75	5.3	5.3	8.0	5.5	12.0	0.4	1.9	13.4	17.4	330
7B12H	500	CT-77	12.4	12.4	16.0	11.5	24.0	0.5	8.1	25.4	29.4	330
7B12M	700	CT-81	12.4	12.4	16.0	11.5	24.0	0.4	4.6	25.4	29.4	330
7B12N	600	CT-76	12.4	12.4	16.0	11.5	24.0	0.5	6.1	25.4	29.4	330
7BKH	1200	CT-219	7.6	9.1	12.0	7.5	16.0	0.4	3.9	17.4	21.4	330
(旧仕様：移行中)	1000	CT-46	7.6	9.1	12.0	7.5	16.0	0.4	3.9	17.5	21.5	330
7E25L	2500	CT-129	2.8	2.8	4.0	3.5	8.0	0.3	1.6	9.0	11.4	180
7E25U	3000	CT-152	2.8	2.8	4.0	3.5	8.0	0.3	1.1	9.0	11.4	180
7E03L	1000	CT-120	3.3	3.3	8.0	5.5	12.0	0.3	1.6	13.0	15.4	180
7E03N	1000	CT-122	3.3	3.3	8.0	5.5	12.0	0.3	2.1	13.0	15.4	180
7E03T	1500	CT-119	3.3	3.3	8.0	5.5	12.0	0.3	1.3	13.0	15.4	180
7E04L	3000	CT-85	4.35	4.35	8.0	5.5	12.0	0.4	2.1	13.4	17.4	330
7E04N	2000	CT-84	4.35	4.35	8.0	5.5	12.0	0.4	3.1	13.4	17.4	330
7E04S	3000	CT-86	4.35	4.35	8.0	5.5	12.0	0.4	1.9	13.4	17.4	330
7E04T	1500	CT-116	4.35	4.35	8.0	5.5	12.0	0.3	1.3	13.0	15.4	180
7E05L	3000	CT-70	5.3	5.3	8.0	5.5	12.0	0.4	2.1	13.4	17.4	330
7E05N	2000	CT-68	5.3	5.3	8.0	5.5	12.0	0.4	3.1	13.4	17.4	330
7E06L	3000	CT-79	6.5	6.5	8.0	5.5	12.0	0.4	2.1	13.4	17.4	330
7E06N	2000	CT-78	6.5	6.5	8.0	5.5	12.0	0.4	3.1	13.4	17.4	330
7E08L	1000	CT-114	10.1	8.4	16.0	7.5	16.0	0.4	3.1	17.4	21.4	330
7E08N	500	CT-115	10.1	8.4	16.0	7.5	16.0	0.4	4.6	17.4	21.4	330
7E10H	500	CT-109	10.5	10.5	16.0	11.5	24.0	0.5	6.9	25.4	29.4	330

Taping for Automatic Insertion of SMD Coils and Filters

自動装着用コイル・フィルタ

テーピング梱包

Applications	Q'ty pcs.	Tape Number	Dimensions (mm)									
			A	B	C	D	E	F	G	H	I	J
7E10L	1200	CT-107	10.5	10.5	16.0	11.5	24.0	0.4	3.1	25.4	29.4	330
7E10N	800	CT-108	10.5	10.5	16.0	11.5	24.0	0.4	4.6	25.4	29.4	330
7G09B	300	CT-126	9.6	10.6	16.0	11.5	24.0	0.5	10.1	25.4	29.4	330
8RKH	1000	CT-133	8.7	9.2	12.0	7.5	16.0	0.4	4.3	17.4	21.4	330
8RLH	1500	CT-132A	8.7	9.2	12.0	7.5	16.0	0.4	3.4	17.4	21.4	330
8RLHA	1500	CT-97	8.7	9.2	12.0	7.5	16.0	0.4	2.8	17.4	21.4	330
9EHH	600	CT-214	11.0	11.2	16.0	11.5	24.0	0.4	6.3	25.4	29.4	330
BCA7267	450	CT-224	7.5	10.0	16.0	14.2	32.0	0.4	6.9	33.4	37.4	330
C1005C	2000/10000	CT-144	0.7	1.1	2.0	3.5	8.0	0.6	0.6	9.0	11.4	180
C1608CB/H	3000	CT-176	1.1	1.8	4.0	3.5	8.0	0.3	0.9	9.0	11.4	180
C2012C/H	2000	CT-33	1.75	2.35	4.0	3.5	8.0	0.3	1.7	9.0	11.4	180
C2520C	2000	CT-32A	2.70	2.90	4.0	3.5	8.0	0.3	2.3	9.0	11.4	180
C3328A	700/2500	CT-57A	5.6	3.8	8.0	5.5	12.0	0.5	3.2	13.4	17.4	180/330
C6328A	500/2500	CT-58A	5.6	6.8	8.0	7.5	16.0	0.5	3.2	17.4	21.4	180/330
C6342A	1500	CT-69	6.5	6.8	8.0	7.5	16.0	0.4	4.6	17.4	21.4	330
CBD6908	3000	CT-184	7.3	7.6	12.0	7.5	16.0	0.3	1.1	17.4	21.4	330
CBD8810	3000	CT-169	9.2	9.2	12.0	7.5	16.0	0.4	1.3	17.4	21.4	330
CER7027	1600	CT-225	7.5	7.4	12.0	7.5	16.0	0.4	3.1	17.4	21.4	330
CER7032	1400	CT-226	7.4	7.4	12.0	7.5	16.0	0.4	3.6	17.4	21.4	330
CER7042	1100	CT-227	7.4	7.4	12.0	7.5	16.0	0.4	4.6	17.4	21.4	330
CER7042AA	1100	CT-227	7.4	7.4	12.0	7.5	16.0	0.4	4.6	17.4	21.4	330
CER7052	800	CT-228	7.4	7.4	12.0	7.5	16.0	0.4	5.6	17.4	21.4	330
CER8042	1000	CT-189	8.4	8.4	12.0	7.5	16.0	0.4	4.6	17.5	21.5	330
CER8065	700	CT-190	8.4	8.4	12.0	7.5	16.0	0.4	6.9	17.5	21.5	330
CER1042	800	CT-108	10.5	10.5	16.0	11.5	24.0	0.4	4.6	25.5	29.5	330
CER1065	500	CT-109	10.5	10.5	16.0	11.5	24.0	0.5	6.9	25.5	29.5	330
CER1242	800	CT-140	12.6	12.6	16.0	11.5	24.0	0.4	4.6	25.5	29.5	330
CER1257	500	CT-173	12.6	12.6	16.0	11.5	24.0	0.5	6.1	25.4	29.4	330
CER1277	400	CT-174	12.6	12.6	16.0	11.5	24.0	0.5	8.1	25.4	29.4	330
CHR1037	800	CT-141	10.5	10.5	16.0	11.5	24.0	0.4	4.1	25.4	29.4	330
CHR1048	800	CT-153	10.5	10.5	16.0	11.5	24.0	0.4	5.2	25.5	29.5	330
CQR8042C	1000	CT-189	8.4	8.4	12.0	7.5	16.0	0.4	4.6	17.5	21.5	330
CQR8065C	700	CT-190	8.4	8.4	12.0	7.5	16.0	0.4	6.9	17.5	21.5	330
CQR1042C	800	CT-108	10.5	10.5	16.0	11.5	24.0	0.4	4.6	25.5	29.5	330
CQR1065C	500	CT-109	10.5	10.5	16.0	11.5	24.0	0.5	6.9	25.5	29.5	330
CQR1242C	800	CT-140	12.6	12.6	16.0	11.5	24.0	0.4	4.6	25.5	29.5	330
CQR1257C	500	CT-173	12.6	12.6	16.0	11.5	24.0	0.5	6.1	25.4	29.4	330
CQR1277C	400	CT-174	12.6	12.6	16.0	11.5	24.0	0.5	8.1	25.4	29.4	330
CWD8037C	1200	CT-178	8.5	8.5	12.0	7.5	16.0	0.4	4.1	17.4	21.4	330
CWD8047C	1000	CT-179	8.5	8.5	12.0	7.5	16.0	0.4	5.1	17.4	21.4	330
CWD1037C	1000	CT-170	10.6	10.6	16.0	11.5	24.0	0.4	4.1	25.4	29.4	330
CWD1045C	800	CT-171	10.6	10.6	16.0	11.5	24.0	0.4	4.9	25.4	29.4	330
CWD1057C	500	CT-172	10.6	10.6	16.0	11.5	24.0	0.4	6.1	25.4	29.4	330
CWD1242C	800	CT-140	12.6	12.6	16.0	11.5	24.0	0.4	4.6	25.4	29.4	330
CWD1257C	500	CT-173	12.6	12.6	16.0	11.5	24.0	0.5	6.1	25.4	29.4	330
CWR4017	3000	CT-85	4.4	4.4	8.0	5.5	12.0	0.4	2.1	13.5	17.5	330
CWR4027	2000	CT-84	4.35	4.35	8.0	5.5	12.0	0.4	3.1	13.5	17.5	330
CWR5017	3000	CT-70	5.30	5.30	8.0	5.5	12.0	0.4	2.1	13.5	17.5	330
CWR5027	2000	CT-68	5.3	5.3	8.0	5.5	12.0	0.4	3.1	13.5	17.5	330
CWR6017	3000	CT-79	6.5	6.5	8.0	5.5	12.0	0.4	2.1	13.5	17.5	330
CWR6027	2000	CT-78	6.50	6.50	8.0	5.5	12.0	0.4	3.1	13.5	17.5	330
CWR8027C	1500	CT-177	8.50	8.50	12.0	7.5	16.0	0.4	3.1	17.4	21.4	330
CWR8037C	1200	CT-178	8.50	8.50	12.0	7.5	16.0	0.4	4.1	17.4	21.4	330
CWR8047C	1000	CT-179	8.50	8.50	12.0	7.5	16.0	0.4	5.1	17.4	21.4	330
CWR1037C	1000	CT-170	10.6	10.6	16.0	11.5	24.0	0.4	4.1	25.4	29.4	330
CWR1045C	800	CT-171	10.6	10.6	16.0	11.5	24.0	0.4	4.9	25.4	29.4	330
CWR1057C	500	CT-172	10.6	10.6	16.0	11.5	24.0	0.4	6.1	25.4	29.4	330
CWR1242C	800	CT-140	12.6	12.6	16.0	11.5	24.0	0.4	4.6	25.4	29.4	330
CWR1257C	500	CT-173	12.6	12.6	16.0	11.5	24.0	0.5	6.1	25.4	29.4	330
CWR1277C	400	CT-174	12.6	12.6	16.0	11.5	24.0	0.5	8.1	25.4	29.4	330
DBE7210H	400	CT-164	7.6	11.4	12.0	14.2	32.0	0.5	10.5	33.4	37.4	330
DBE1010H/HB	200	CT-155	10.9	13.4	20.0	14.2	32.0	0.5	10.5	33.4	37.4	330
DBF1057H	600	CT-191	10.5	16.5	16.0	14.2	32.0	0.5	6.1	33.4	37.4	330
DBF1157H	600	CT-192	11.0	20.0	16.0	14.2	32.0	0.5	6.1	33.4	37.4	330
DER7052	800	CT-228	7.4	7.4	12.0	7.5	16.0	0.4	5.6	17.4	21.4	330
HER4010	1500	CT-116	4.4	4.4	8.0	5.5	12.0	0.4	1.3	13.0	15.4	180
HER5010	5000	CT-180	5.30	5.30	8.0	5.5	12.0	0.3	1.3	13.4	17.4	330